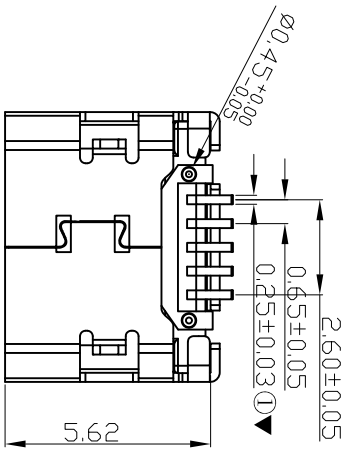
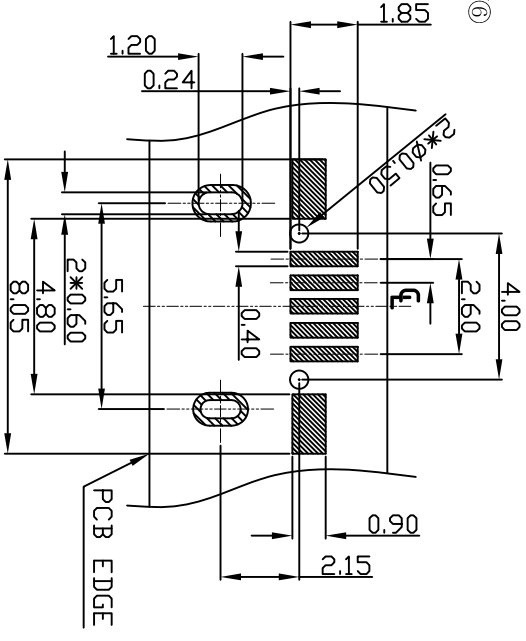
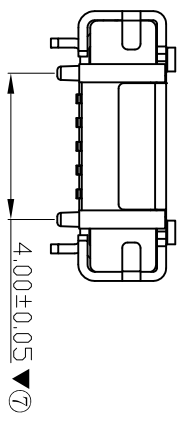
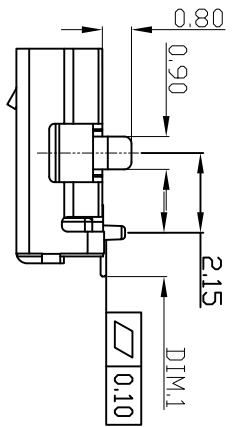
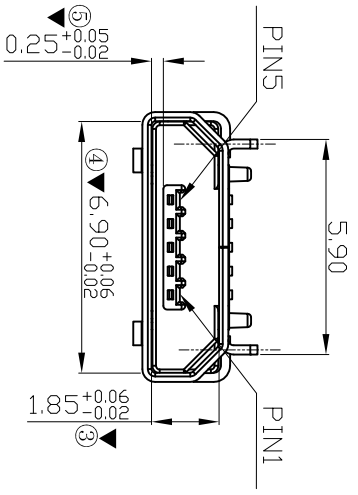
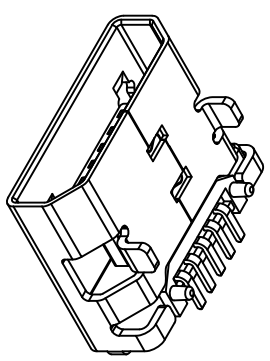


ROHS



- Specification:
- 1.Electrical Characteristics:
Current rating: 1.5PIN 1.8A Max/2.3,4PIN 1A Max.
Dielectric withstanding voltage: 100 V(ac) for 1 min.
Insulation Resistance: 100 MΩ Minimum.
Contact Resistance: 30 mΩ Maximum.
 - 2.Environmental:
Operating Temperature:-30°C~+80°C.
 - 3.Mechanical Characteristics:
Total mating force: 3.57 Kgf Max.
Total unmating force: 1.0 Kgf Min.
 - 4.Material:
Insulator: HI-Temp Plastic UL 94V-O Rated.
Contact: Copper Alloy(t=0.15mm).
Shell: Copper Alloy (t=0.20mm)/spcc双光(t=0.25mm).



RECOMMENDED P.C.B. LAYOUT
TOLERANCE UNSPECIFIED ±0.05mm

DIM.1	A	1.20
	B	1.00
	C	0.80

-TOLERANCES-
UNLESS OTHERWISE SPECIFIED
公差参考表

东莞市一峰精密电子科技有限公司
DONGGUAN YI FENG PRECISION TECHNOLOGY CO., LTD.
TITLE: MICRO USB 5P 5.9前插后贴脚5.9直边有柱

DATE	DR.BY	ECN.NO.	DESCRIPTION	MARK	VER.	X.XX ±0.10	X.XX ±2.00°	X.XXX ±0.020	X.XX ±5.00°	CHECK:	DATE	SCALE	UNIT	TYPE	PAGE
					A0	X.XX ±0.15	X.XX ±5.00°	X.XXX ±0.020	X.XX ±5.00°	DRAW:	2017.10.17	1:1	mm	CD	1/1